

**EU DECLARATION OF CONFORMITY**  
**DECLARACIÓN UE DE CONFORMIDAD**

Certificado Nº SGI 3198065/11

Certificado Nº SGI 3198065/12

The company / *La Empresa:***BASOR ELECTRIC, S.A.**Address / *Dirección:*

Av. Alcodar, 45-47, 46700. Gandía (VLC), Spain.

Declares that the product:

*Declara que el producto:***BASORFIL BF2R**

Installed in accordance to the installation standards, manufacturer's instructions and professional rules, duly maintained and used for the applications as intended.

*Instalado de acuerdo con las normas de instalación, instrucciones del fabricante y conforme a las reglas profesionales, debidamente mantenido y utilizado en las aplicaciones para las que está previsto.*

Complies with the essential requirements of the Council Directives:

*Cumple con los requisitos esenciales de las Directivas del Consejo:***2014/35/UE (Low Voltage Directive) / (Directiva de Baja Tensión)**

Incorporated in the Spanish Legislation in: R.D. 187/2016.

*Incorporado en la Legislación Española en: R.D. 187/2016.*

And it is suitable and safe for the intended use and it is in conformity with the following standard:

*Es adecuado y seguro para el uso a que está destinado y es conforme con la siguiente norma:***UNE EN 61537**

Additional information:

*Información adicional:*

This product is intended to be installed and maintained by skilled persons, it may be used by ordinary persons only as a replacement part, to substitute for an identical device.

*Este producto está previsto para ser instalado y mantenido por un profesional, puede ser usado por una persona no formada para reemplazamiento de uno idéntico.*

Place and date:

*Lugar y fecha:*

Gandía May 2016

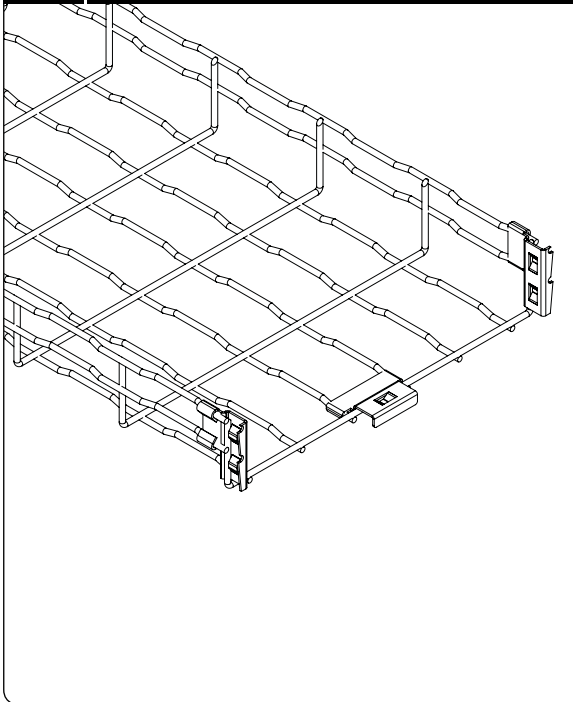
*Gandía Mayo 2016*Technical department / *Departamento Técnico*



Certificado Nº SGI 3198065/11

Certificado Nº SGI 3198065/12

**BF2R**



**Models (BxH):**

60x65; 100x65; 150x65; 200x65; 300x65; 400x65; 500x65; 600x65; 100x105; 150x105; 200x105; 300x105; 400x105; 500x105; 600x105.

**Finishes:** EZ, EZ1000, SS304, SS316.

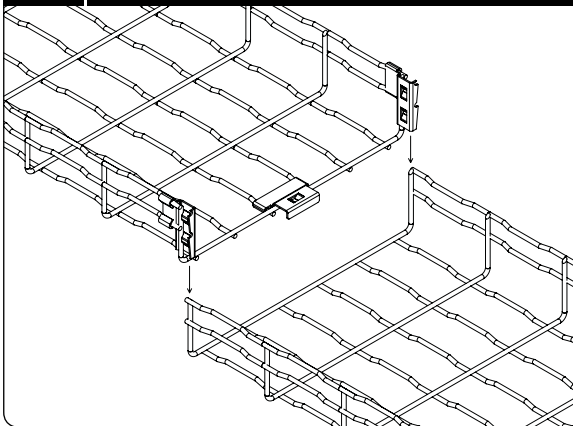
**Characteristics of the cable tray**

- Metallic
- Non-flame propagating component
- System with electrical continuity
- Electrically conductive component
- Minimum temperature of -50 °C
- Maximum temperature of 150 °C
- With metallic coating, resistance to corrosion:
  - EZ coating: class 3
  - EZ1000 coating: Class 8+ (>1000 hours salt spray)
  - ss304 coating: class 9C      ss316 coating: class 9D
- Impact strength: 20J
- Comply with RoHS, 2011/65/UE

**Classification acc. to the free base area:**

| Models         | Classification |
|----------------|----------------|
| 60 SS304/SS316 | Z              |
| 60 EZ/EZ1000   | X              |
| 100            | Y              |
| 150            | Z              |
| 200            | Y              |
| 300            | Y              |
| 400            | Y              |
| 500            | Y              |
| 600            | Y              |

**ASSEMBLING INSTRUCTIONS**

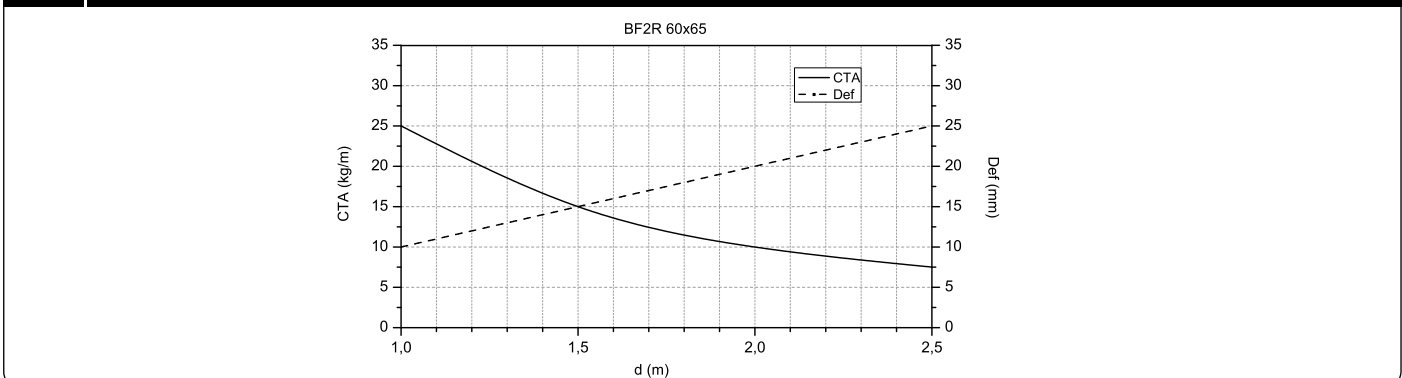


- BASORFIL BF2R cable trays don't need additional elements for the assembly. Each straight element include the union joints. To mount the trays place the cable tray with the union joints over the last tray end and apply pressure as shown in the picture.
- Installing an electrical conduit trays should not be performed under other pipelines such as water, steam, gas.
- For an easier manipulation of cables, we recommend installing the trays with a distance between them of 250 mm (10").
- Must be separated from the wall 20 mm trays that are placed on supports, to allow optimum ventilation of the cables.
- Is recommended to install the union joints between L/4 to L/5 of the distance between supports.

**Accessories:**

The family has a large range of accessories: Cover TERE/TEBFR, divider profile PS, drop out plate BJC. Accessories for cut and works on site: Quick joint, bolt and staple set, lateral union set, bf bolt and nut set, multiunion joint. Support accessories: SSC central suspension, SL support, SLS, universal box support SUC, mini universal box support SUCM.

**SAFE WORKING LOAD**



**SAFE WORKING LOAD**

